



Climbtime² SPEED CLIMBING TIMER

INSTALL INSTRUCTIONS



INSTALL INSTRUCTIONS:

Unpack and ensure all parts are available:

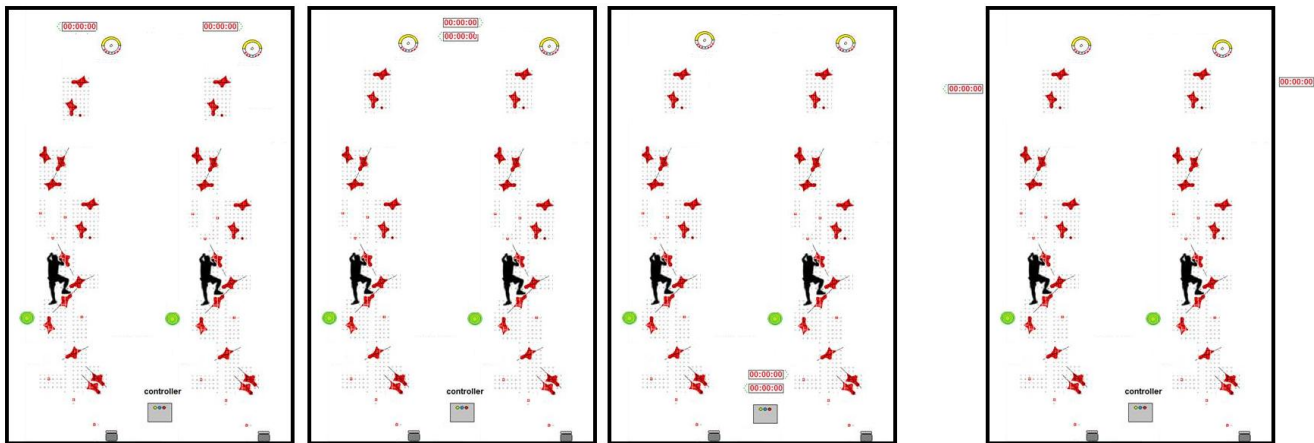
Unpack and ensure all parts* are available:

- 1 - Timer Displays with bracket
- 1 - 15 meter RJ126p6c cable
(or 1 cable length as ordered)
- 1 – Finish Switch (Yellow Target)
- 1 - Foot Switches
- 1 - 12v Power supply (110V AC to 12V 1A DC)
- 1 - Hardware package:
 - 1 ea 3/8" x 1" Bolt
 - 1 ea 3/8" x 2" Bolt
 - 2 Reusable Plastic Ties



(*Note: Components may not be exactly as shown)

Installation:



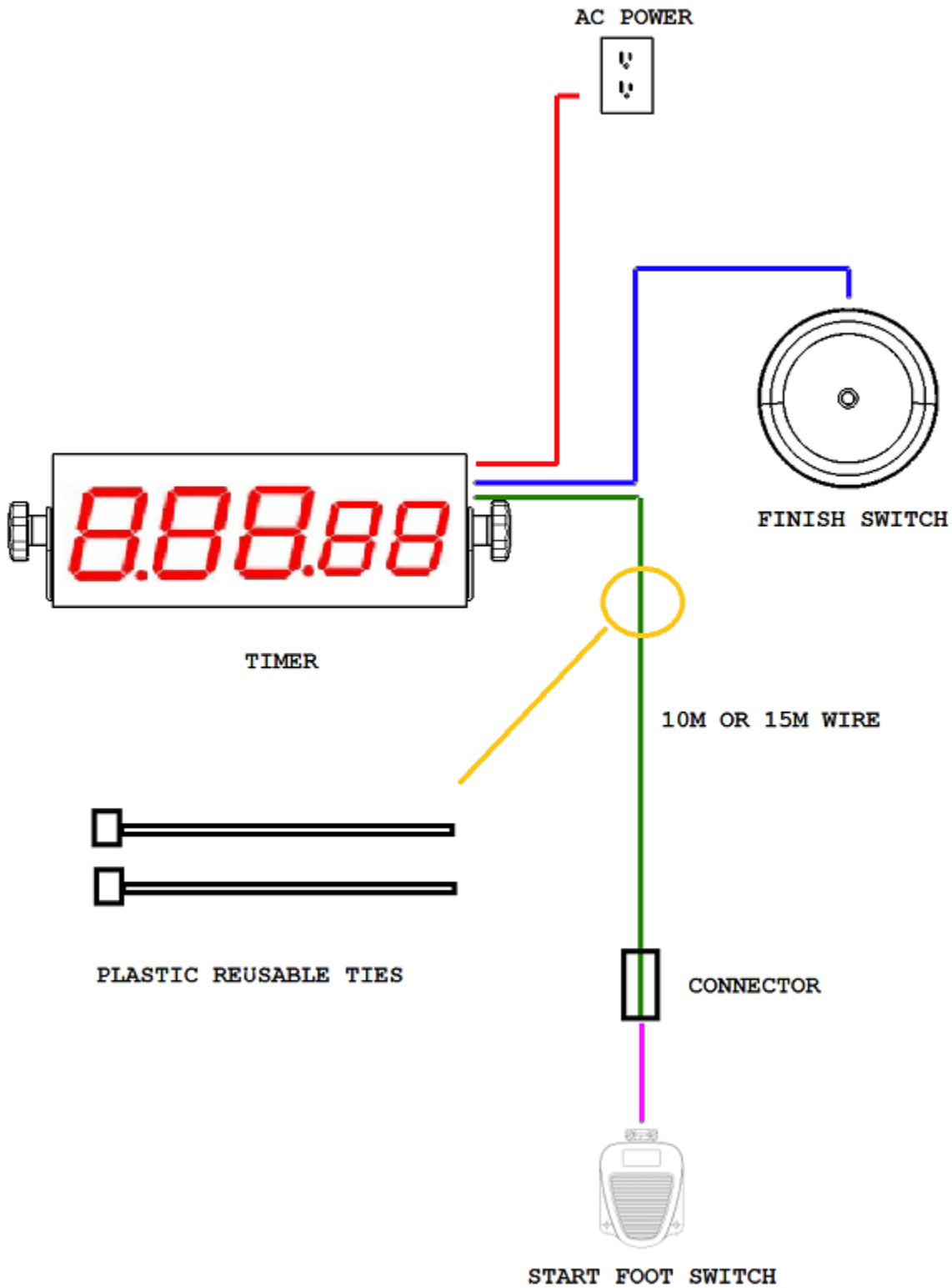
Typical install configurations

Consider and select the best configuration for your wall system, and needs.

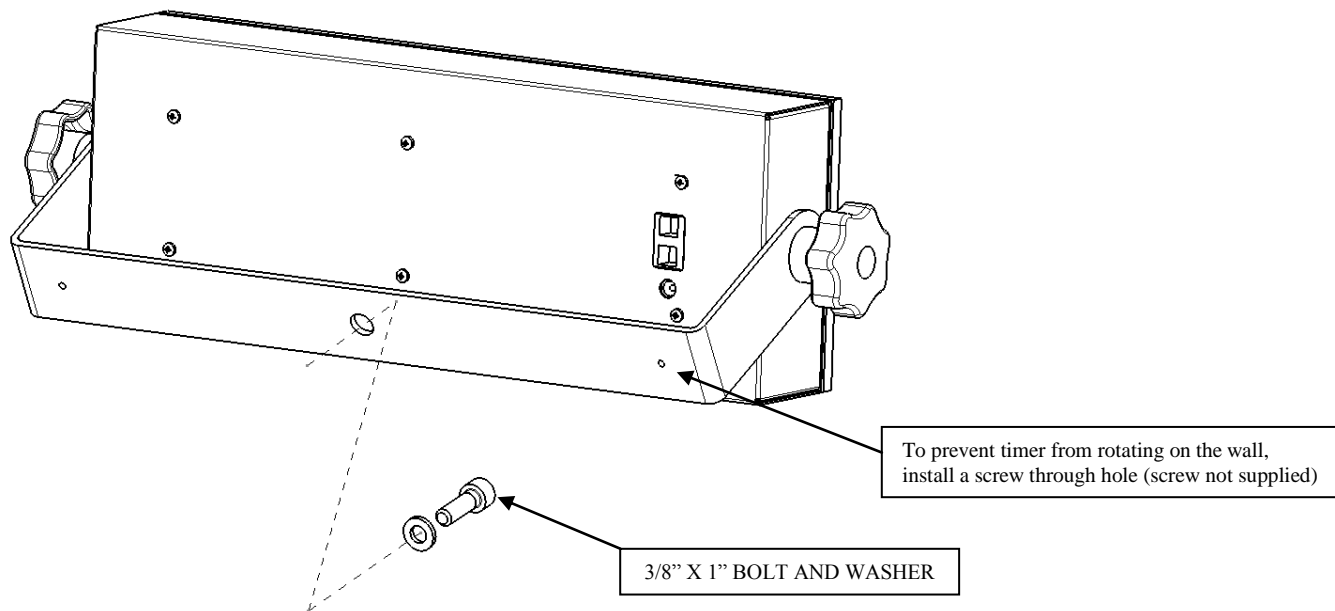
Install all of the peripherals to the wall first, and test the configuration to see if it meets your needs. Try to install in a configuration that will prevent a climber from stepping on or holding on to the Competition controller, timers, or wiring.

After you are satisfied with the placement of the Climptime² elements, install the wiring in a permanent configuration, or tape all the wiring down to the wall if your install is temporary.

Typical* Install Configuration:



(Note: Use the 2 provided plastic ties on the long wire to the foot switch to tie the wire to the top of the climbing structure, and prevent the weight of the wire from pulling on the connector at the timer.)



REAR OF TIMER DISPLAY

1) Install the Timers to the wall:

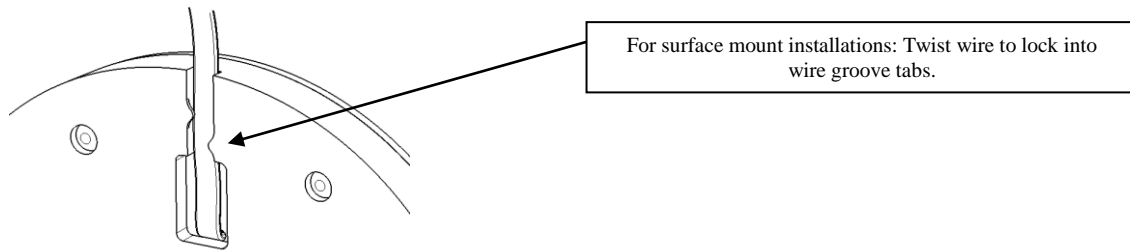
Install the timer display with the supplied 1" bolt and washer to the climbing wall.

It is suggested that the Timer display be mounted above, and away from the finish switch, to prevent accidental damage from climbers.

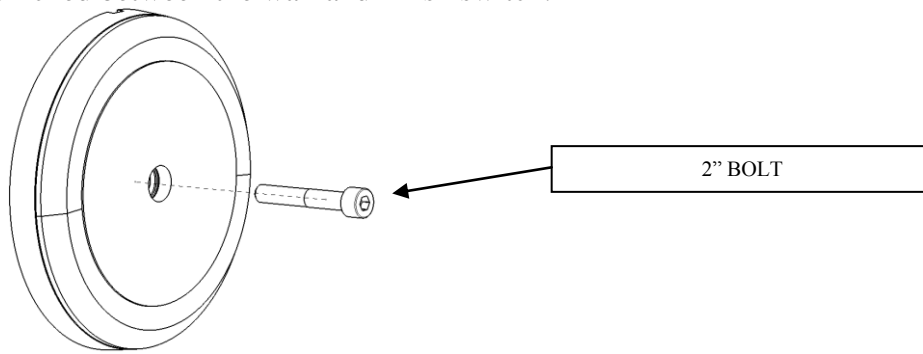
It is suggested that a T-Nut be removed from near the timer display to run wires behind the wall to the CLIMBTime² components if installed in a permanent configuration.

2A Option) FINISH SWITCH Surface Mount Install:

Attached the finish switch with the wire connector towards the ceiling, and position the semi-opaque light bar at the bottom of the finish switch facing the floor.



Make sure the wire is in the wire channel on the rear of the finish switch, to prevent the wire from being pinched between the wall and finish switch.



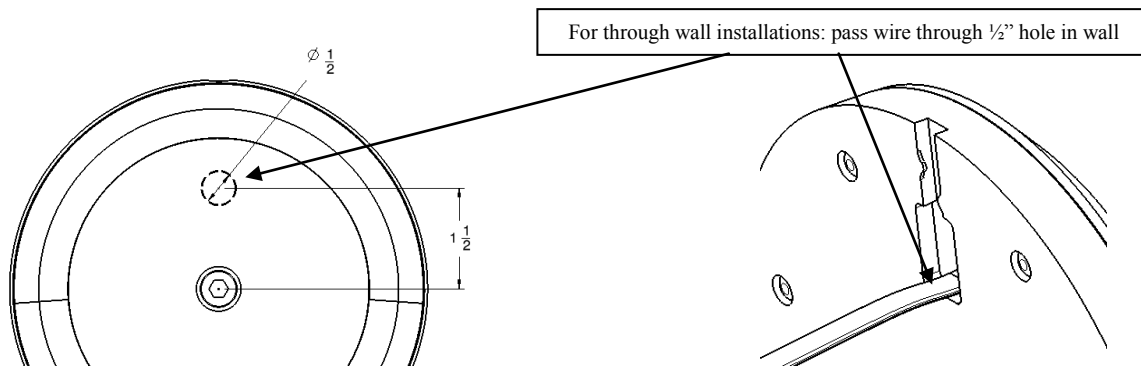
Install the finish switch near the finish of the speed climbing route with the supplied 2" bolt.

HAND TIGHTEN FINISH SWITCH TO WALL – DO NOT OVER TIGHTEN

Tape the full length of wire from the surface mounted finish switch to the top of the wall, to prevent accidentally catching and pulling on the wire by the climber, and preventing damage to the Climptime² components.

2B Option) FINISH SWITCH Through Wall Install:

Drill $\text{\O}1/2''$ hole at $1\ 1/2''$ up from T-nut position.

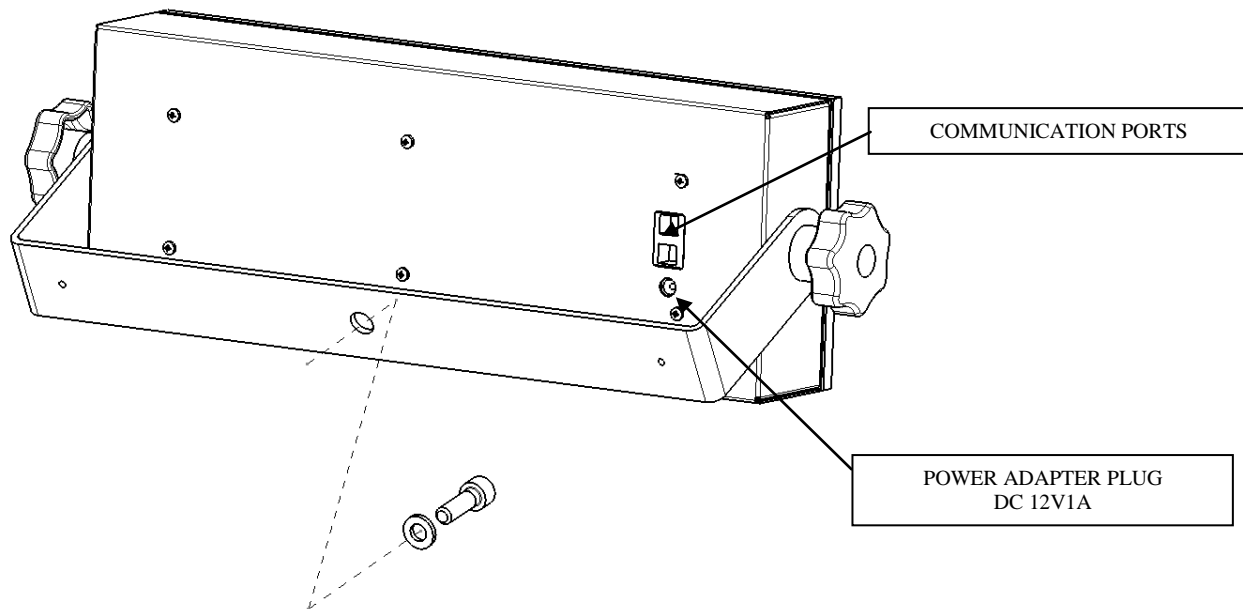


Pass the finish switch wire through the $\text{\O}1/2''$ hole, and install the finish switch with the supplied $3/8'' \times 2''$ bolt. The finish switch should be orientated, so that the translucent lens is towards the floor.

Care should be taken to not pinch the wire when installing the Target finish switch.

HAND TIGHTEN FINISH SWITCH TO WALL – DO NOT OVER TIGHTEN

3) Connect cables:



It is recommended to remove a T-Nut from the wall near the Finish Switch, and remove another T-Nut from the wall near the display timer. Run the wire from the Finish Switch to the Display timer behind the wall if possible to prevent climbers from accidentally pulling the wiring and damaging your CLIMBTime² unit.

If running the wiring behind the wall is not feasible, tape the wire securely to the wall in a fashion to prevent a climber from accidentally pulling on the wires.

Attach the Finish Target cable into any open socket of the display timer. (Note: Use any open socket. The Timer Display will determine what was plugged in.)

Run the 15M cable to the floor behind the wall if possible. Remove a T-Nut from near the floor and pass the foot switch to the cable through the T-Nut hole, being careful to not damage the end of the cable connector. Attach the foot switch to the cable with the supplied RJ12 6p6c Female\Female connector.

The foot switch should be used directly on the floor, or a sturdy\secure platform, and not on a padded, or carpeted gym floor, as the climber will move the foot switch away from his foot as he pressed down when starting to climb, and have a delayed start time as the foot switch follows his foot back from being depressed into the floor padding.

Connect the other end of the long cable to the timer. (Note: Use any open socket. The Timer Display will determine what was plugged in.) Use the two supplied reusable zip ties to secure the long cable to the wall structure, so that the weight of the cable going to the floor will not pull on the connector communication ports on the rear of the Timer.

Plug in the supplied power adaptor to AC, and plug in the timer display. The timer will light. The timer will enter sleep mode after approximately 8 min.

WARRANTY

Rayon Product Design & Development warrants this product to be free from defects in materials and workmanship for one year from the date of purchase of the products. The warranty extends only to you, if you are the end user with the original purchase receipt.

We will, at our option, repair or replace the products that do not conform to the warranty. We may use functionally equivalent reconditioned/refurbished/remanufactured/pre-owned or new Products or parts. This warranty will extend only to the timer display, target FINISH SWITCH, foot switch, and power adapter. This warranty will not extend to the wiring used to connect the peripherals, or the launch stability platform. If one of your CLIMBTime² Speed Climbing timer peripherals is found to be defective within that time, we will promptly repair or replace it.

Climbing is a dangerous sport that could result in death. Under no conditions is Rayon Product Design & Development liable for the loss of revenue, and damage or loss resulting from the use of this product. Buyer assumes all risks resulting from use of this product.

Claim Limits: Claims are limited to repair or replacement or if in Rayon Product Design & Development discretion that is not possible, to reimbursement up to the purchase price paid for the Product. In no event will Rayon Product Design & Development's liability under this Agreement exceed the purchase price paid for the Product.

What Is Not Covered

This Agreement does not cover normal wear and tear of the Product or costs related to the removal, installation, or field troubleshooting of the Product.

Rayon Product Design & Development will not be responsible for providing service or support under the terms of this Agreement if, and not limited to: a) the Product has been misused, neglected, improperly installed, physically damaged or altered, either internally or externally, or damaged from improper use or use in an unsuitable environment; b) the Product has been subjected to fire, splashed water, submersion into any liquid, generalized corrosion, biological infestations, or high input voltage including lighting strikes and generators operating outside the limits of their Product specifications; c) repairs have been done to it other than by Rayon Product Design & Development .d) the Product is used as a component part of a Product expressly warranted by another manufacturer; e) the Product's original identification (trade-mark, serial number) markings have been defaced, altered, or removed; f) the Product is located outside of the United States or Canada; g) the customer has misrepresented the Product information provided to Rayon Product Design & Development in order to receive coverage under the terms of this Agreement. This Agreement does not warrant uninterrupted or error-free operation of the Product; h) Product malfunction or damage resulting from electromagnetic or solar radiation; i) Shipping charges to Rayon Product Design & Development more than 30 days after first receiving the product.

RAYON

Product Design & Development Ltd.

83 St. Paul Crescent

St.Catharines, Ontario, L2S-1M3

905-708-3069

sales@climptime2.com